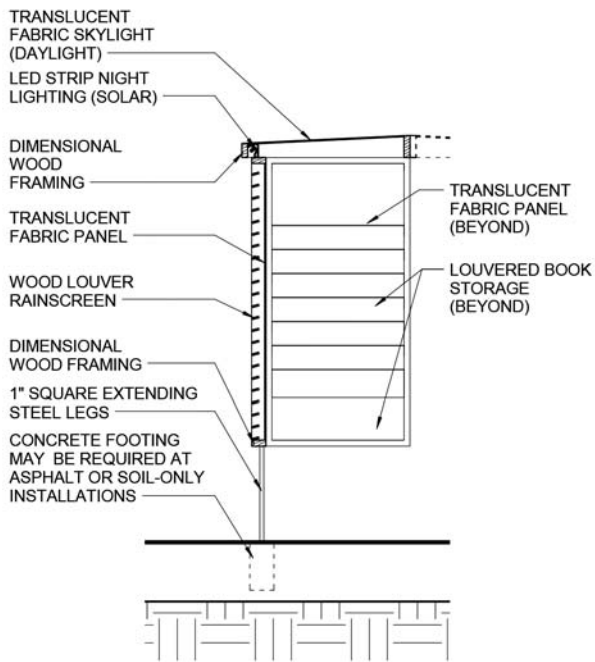




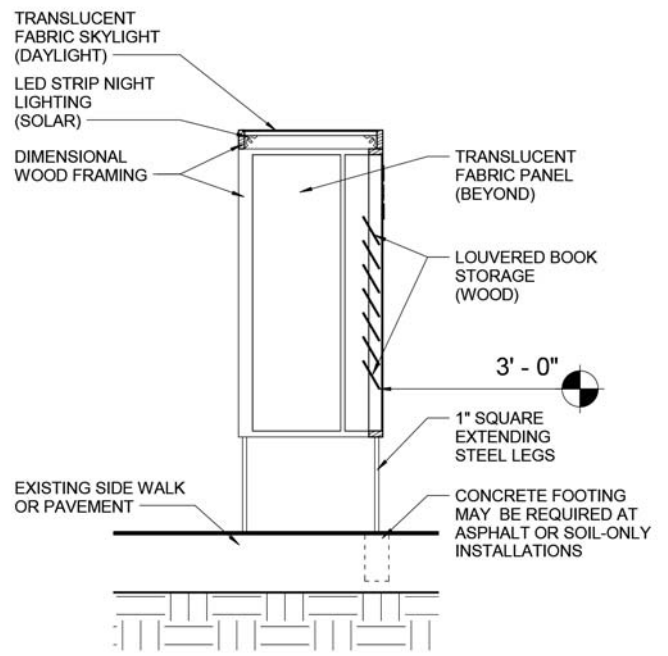
DISCRIPITION OF PROJECT:

The lantern is a flat-pack wood and fabric design maximizing interior space relative to the allotted shipment volume. Once unfolded and assembled, the lantern provides light and shelter from the elements as passers-by browse the collection. Translucent fabric, stretched over a wooden frame and hardened with resin, forms a weatherproof and daylight-transmitting shell. At night, solar powered LED lighting illuminates these translucent panels, evoking a paper lantern. Waterproofed hanging fabric shields the book shelves during inclement weather. The library even exceeds it's shipment height of six feet by way of extending steel legs to accomodate adults and children, alike. Two benches constructed of cross-laminated wood are also included. The lantern is constructed from commonly available and salvageable materials that can be gotten from charity building suppliers, demolition debris and discarded or donated objects.

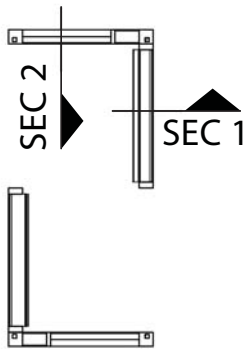




4 SECTION 1
1/4" = 1'-0"



3 SECTION 1
1/4" = 1'-0"



2 FLOOR PLAN
1/4" = 1'-0"



1 FRONT
1/4" = 1'-0"

